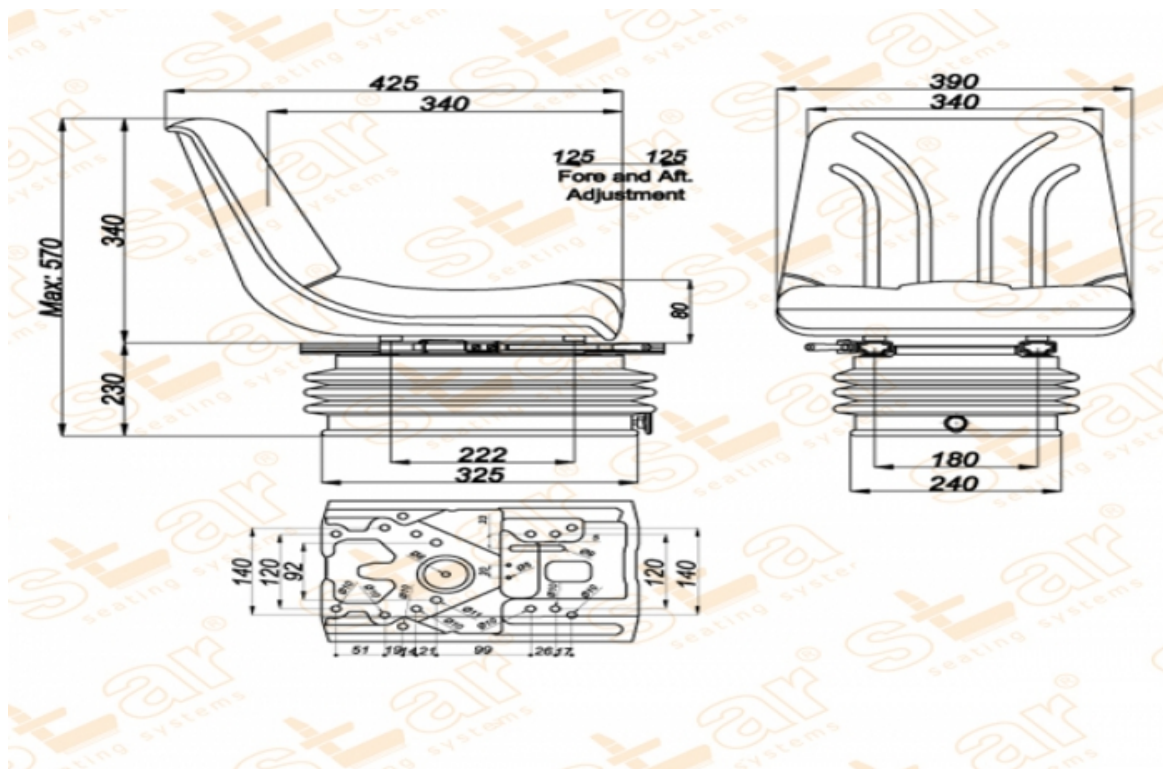


# STplus GC12



BRAND: STAR

CAPACITY:

## Seat Features

- Suspension** : AIR Suspension
- Sliding Base** : Fore and Aft. Adjustment 250mm (Incremente of 15mm)
- Suspension Stroke** : 80-100mm (Couple Spring & Hydraulic Shock Absorber)
- Height Adjustment** : 60mm
- Weight Adjustment** : 50-130kg.
- Backrest Adjustment** : No
- Angles Adj.** : No
- Lumbar Adjustment** : No
- Certificates** : Classes I,II (e24\*78/764) - (76/115/EEC)

## Description

With water hole - Small Pan Type Seat - Garden Type Tractor or Equipment Seats

## Options

- SB010 Static Seat Belt** :
- SB020 Two Point Automatic Seat Belt** :
- STT 17 360 Small Swivel Mechanism** :
- YP28 TUMOSAN Plate** :
- Base Plate 260mm** :