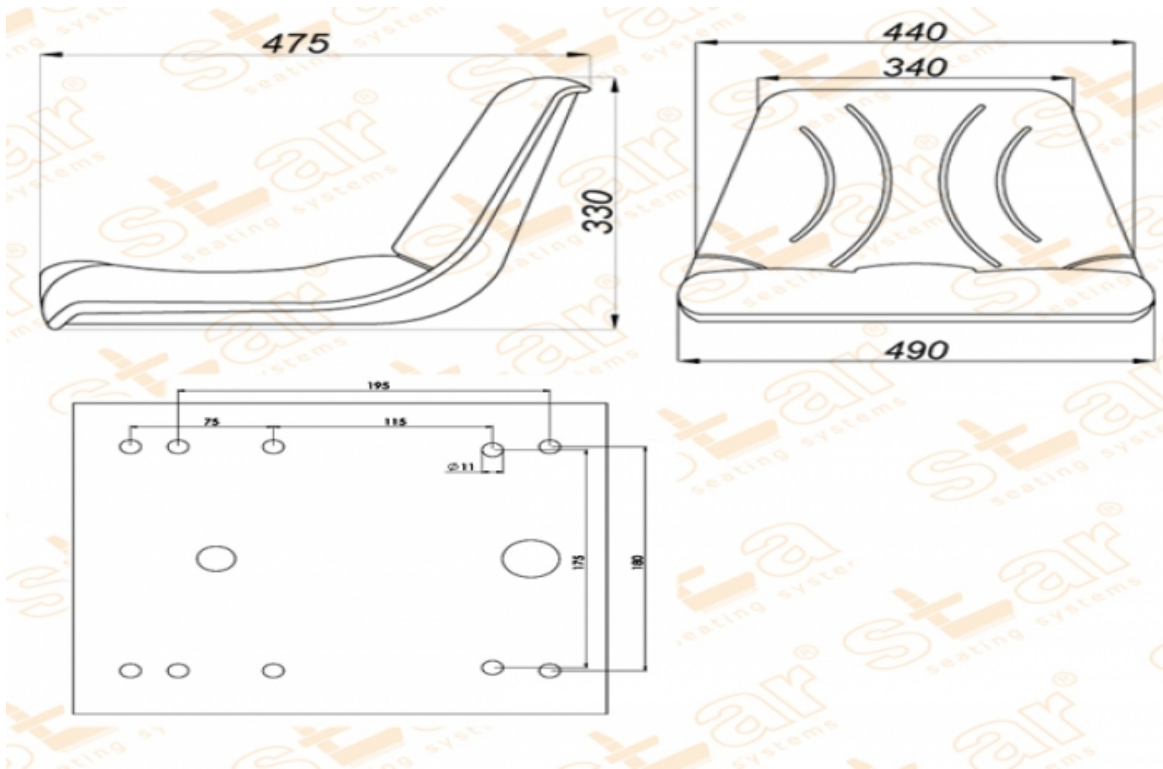


# ST YP10



BRAND: STAR

CAPACITY:

## Seat Features

<b>Suspension</b>	:	No
<b>Sliding Base</b>	:	No
<b>Suspension Stroke</b>	:	No
<b>Height Adjustment</b>	:	No
<b>Weight Adjustment</b>	:	No
<b>Backrest Adjustment</b>	:	No
<b>Angles Adj.</b>	:	No
<b>Lumbar Adjustment</b>	:	No
<b>Certificates</b>	:	

## Description

**With water hole - Overturnable BigPan Type Seat - Forklift or Garden Tractor or Equipment Seats**

## Options

**SB010 Static Seat Belt** :