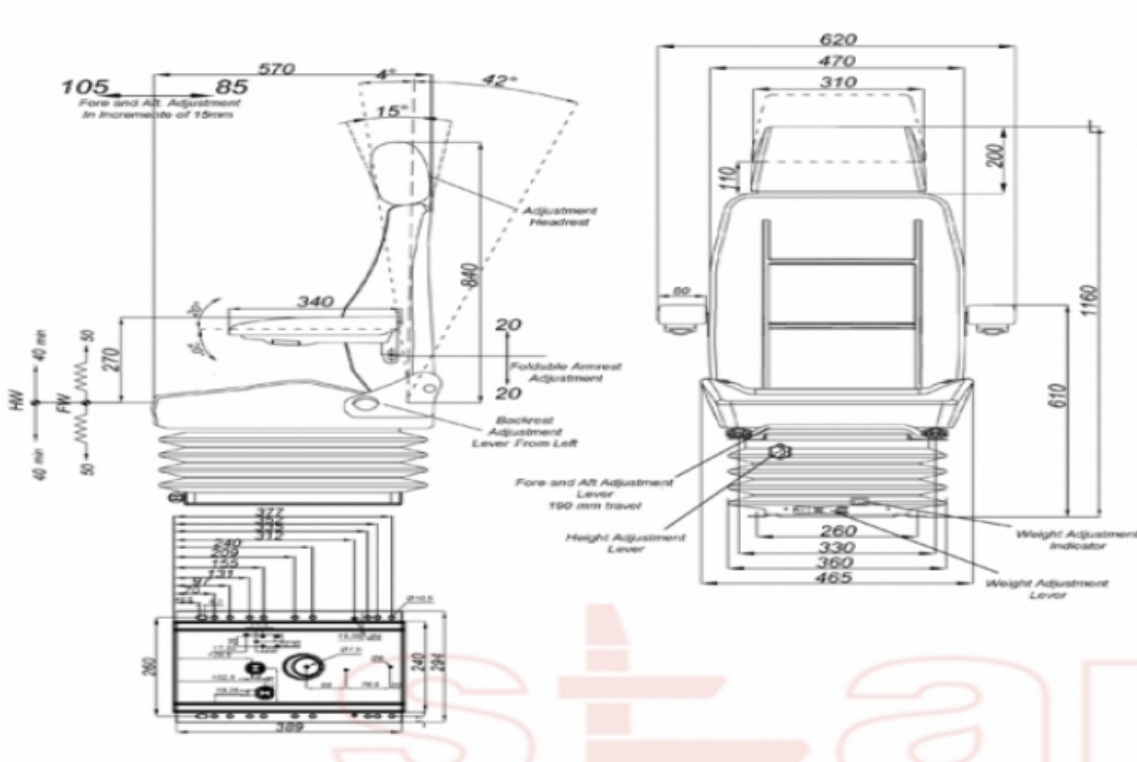


STplus DRV4730



BRAND: STAR

CAPACITY:

Seat Features

- Suspension** : Mechanical Suspension
- Sliding Base** : Fore and Aft. Adjustment 190mm (With Couple Locked) (Incremente of 15mm)
- Suspension Stroke** : 100mm (Four Spring & Hydraulic Shock Absorber)
- Height Adjustment** : 80mm
- Weight Adjustment** : 50-130kg.
- Backrest Adjustment** : 42°-8°
- Angles Adj.** : No
- Lumbar Adjustment** : Mechanical
- Certificates** : Classes I,II (e24*78/764) - (76/115/EEC)

Description

Long Backrest -Tower Crane - Construction Seats

Options

- SB010 Static Seat Belt :
- SB020 Two Point Automatic Seat Belt :
- SP02 Foldable Armrest :
- SP02ARN Adjustable Foldable Armrest :
- 12V & 24V Operator Switch :
- SP01 Backrest Extension :
- DB01 Document Belt :
- LTT 18 360 Large Swivel Mechanism :
- YP28 TUMOSAN Plate :

12V & 24V 3 Adj. Heater

