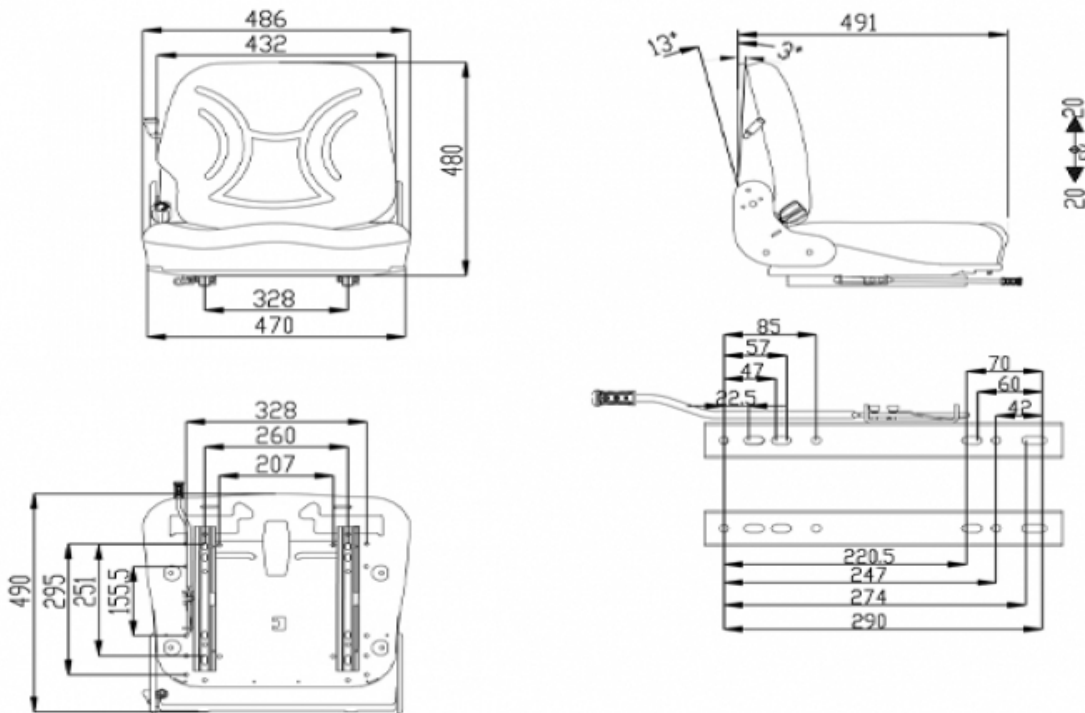


STplus FS12



BRAND: STAR

CAPACITY:

Seat Features

- Suspension** : Mechanical Suspension
- Sliding Base** : Fore and Aft. Adjustment 250mm (Incremente of 15mm)
- Suspension Stroke** : 40mm (Couple Spring - Backrest Suspension)
- Height Adjustment** : No
- Weight Adjustment** : 50-130kg.
- Backrest Adjustment** : 13°-3°
- Angles Adj.** : No
- Lumbar Adjustment** : No
- Certificates** : (76/115/EEC)

Description

Forklift & Special Vehicle Seats

Options

- SB010 Static Seat Belt** :
- SB020 Two Point Automatic Seat Belt** :
- SP02FS Foldable Armrest** :
- 12V & 24V Operator Switch** :
- STT 17 360 Small Swivel Mechanism** :
- 12V & 24V 3 Adj. Heater** :