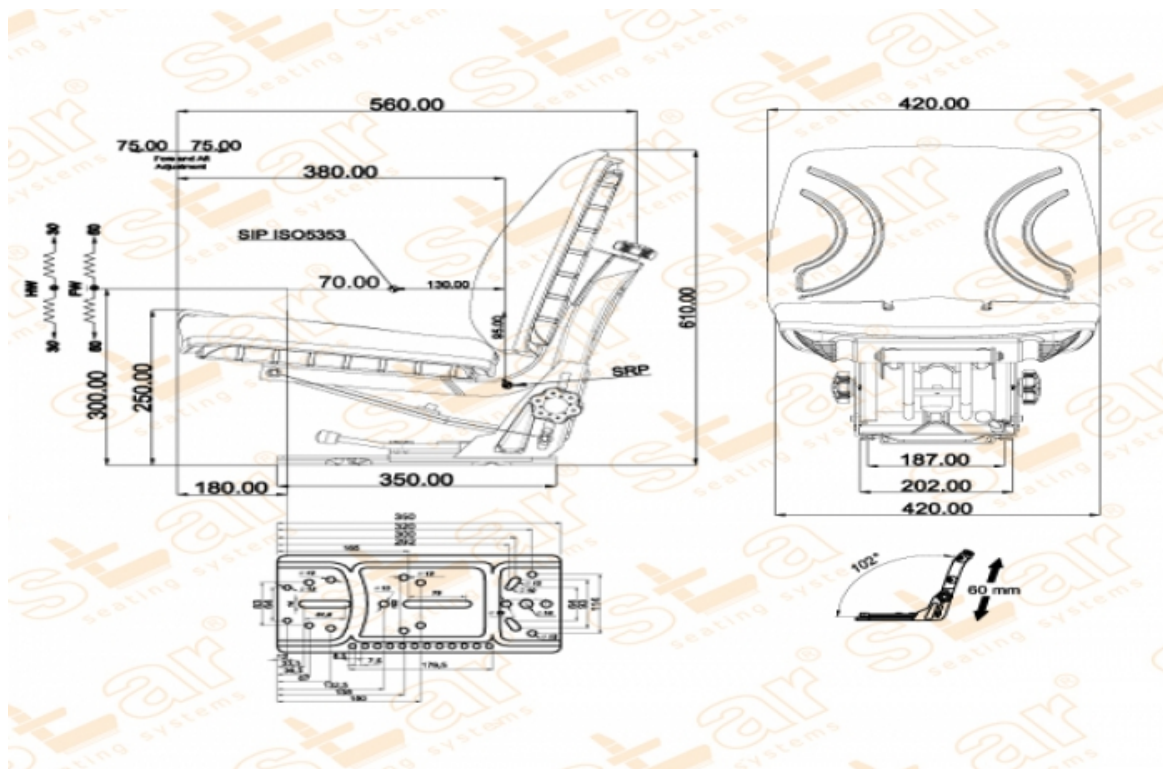


# ST 0642



BRAND: STAR

CAPACITY:

## Seat Features

- Suspension** : Mechanical Suspension
- Sliding Base** : Fore and Aft. Adjustment 150mm
- Suspension Stroke** : 80-100mm (Couple Spring & Hydraulic Shock Absorber)
- Height Adjustment** : 60mm
- Weight Adjustment** : 50-120kg.
- Backrest Adjustment** : No
- Angles Adj.** : No
- Lumbar Adjustment** : No
- Certificates** : Classes I,II (e1\*78/764) - (76/115/EEC)

## Description

e1\*78/764\*2006/96\*0033\*00 - Universal Tractor Seats

## Options

- SB010 Static Seat Belt** :
- SB020 Two Point Automatic Seat Belt** :
- YP15S Foldable Armrest** :