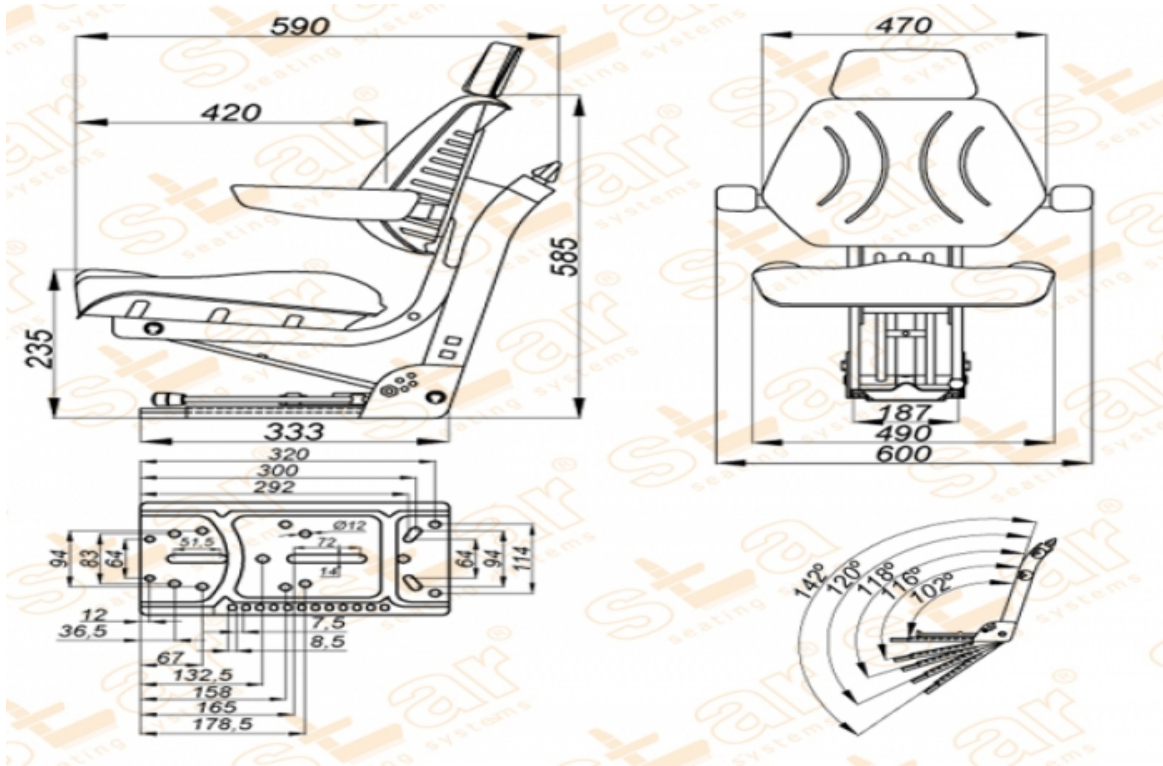


# ST 11BS-07 BE



BRAND: STAR

CAPACITY:

## Seat Features

- Suspension** : Mechanical Suspension
- Sliding Base** : Fore and Aft. Adjustment 150mm
- Suspension Stroke** : 80-100mm (Couple Spring & Hydraulic Shock Absorber)
- Height Adjustment** : No
- Weight Adjustment** : 50-120kg.
- Backrest Adjustment** : No
- Angles Adj.** : Adjust. with 5 position
- Lumbar Adjustment** : Mechanical
- Certificates** :

## Description

**Backrest Extension - Foldable Armrest - Universal Tractor Seats**

## Options

- SB010 Static Seat Belt** :
- SB020 Two Point Automatic Seat Belt** :
- YP15ARN Adjustable Foldable Armrest** :
- STT 17 360 Small Swivel Mechanism** :