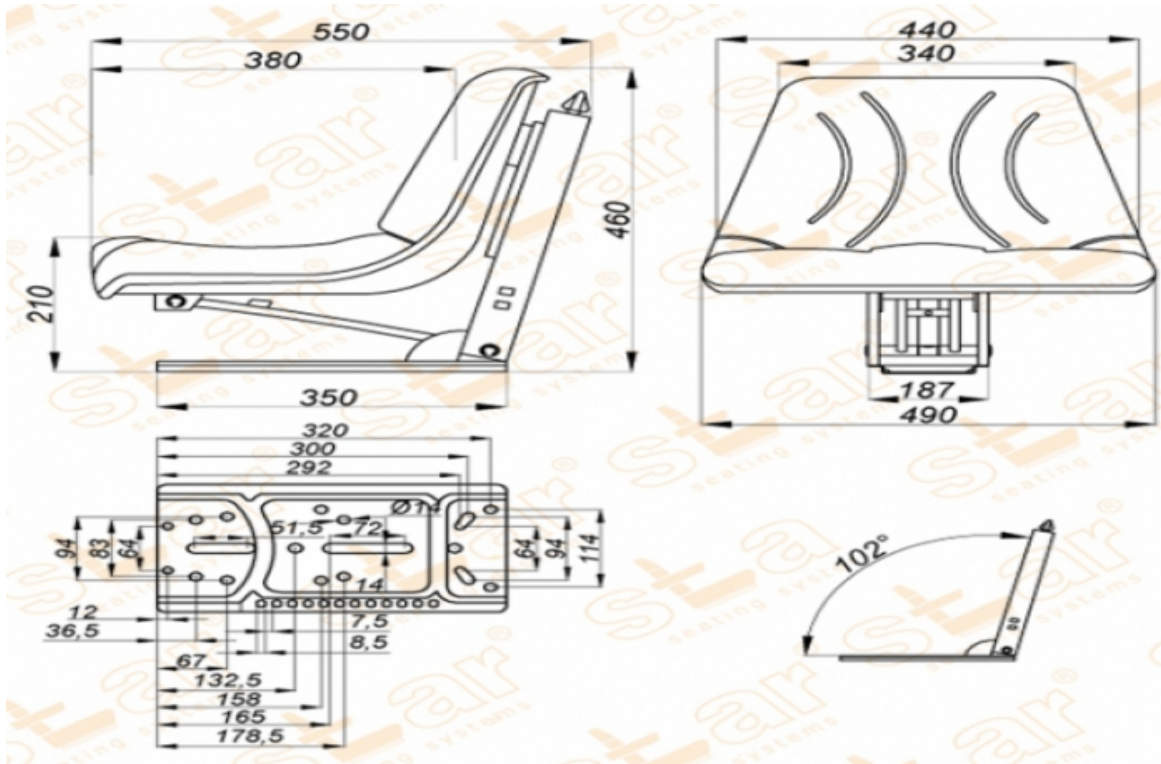


# ST C01



BRAND: STAR

CAPACITY:

## Seat Features

- Suspension** : Mechanical Suspension
- Sliding Base** : No
- Suspension Stroke** : 80-100mm (Couple Spring & Hydraulic Shock Absorber)
- Height Adjustment** : No
- Weight Adjustment** : 50-120kg.
- Backrest Adjustment** : No
- Angles Adj.** : No
- Lumbar Adjustment** : No
- Certificates** :

## Description

With water hole - Pan Type Seat - Garden Type Tractor or Equipment Seats

## Options

SB010 Static Seat Belt

: