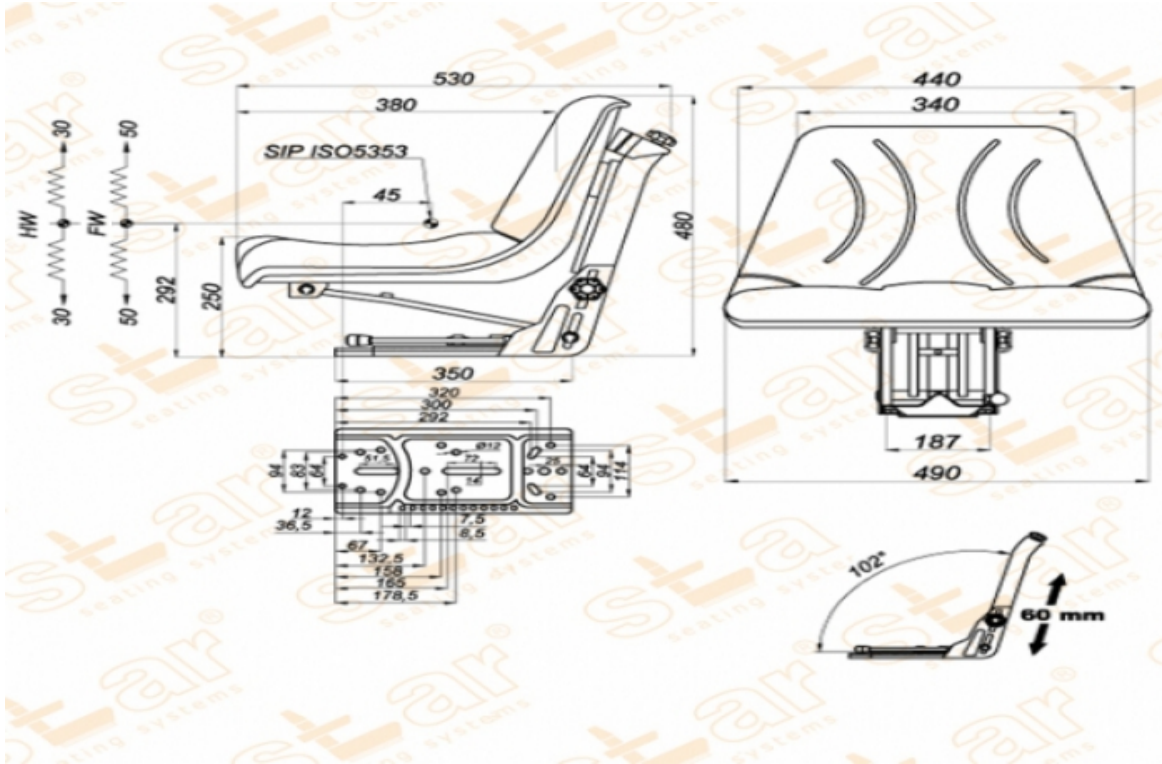


ST C05



BRAND: STAR

CAPACITY:

Seat Features

- Suspension** : Mechanical Suspension
- Sliding Base** : Fore and Aft. Adjustment 150mm
- Suspension Stroke** : 80-100mm (Couple Spring & Hydraulic Shock Absorber)
- Height Adjustment** : 60mm
- Weight Adjustment** : 50-120kg.
- Backrest Adjustment** : No
- Angles Adj.** : No
- Lumbar Adjustment** : No
- Certificates** : Classes I,II (e1*78/764) - (76/115/EEC)

Description

With water hole - Garden Type Tractor or Equipment Seats

Options

SB010 Static Seat Belt

: