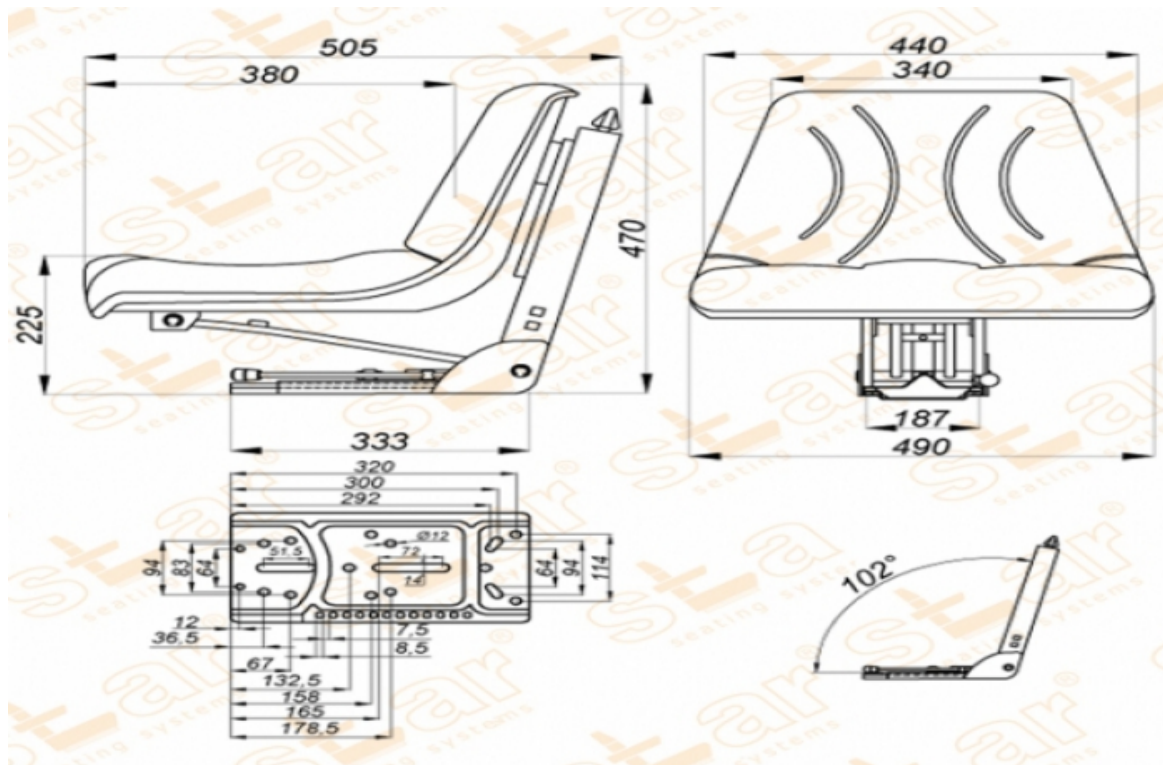


ST C11



BRAND: STAR

CAPACITY:

Seat Features

- Suspension** : Mechanical Suspension
- Sliding Base** : Fore and Aft. Adjustment 150mm
- Suspension Stroke** : 80-100mm (Couple Spring & Hydraulic Shock Absorber)
- Height Adjustment** : No
- Weight Adjustment** : 50-120kg.
- Backrest Adjustment** : No
- Angles Adj.** : No
- Lumbar Adjustment** : No
- Certificates** :

Description

With water hole - Overturnable Pan Type Seat - Universal Tractor Seats

Options

- SB010 Static Seat Belt** :
- SB020 Two Point Automatic Seat Belt** :